

# System Reset (with built-in watchdog timer) Monolithic IC MM1096

## Outline

This IC functions in a variety of CPU systems and other logic systems to generate a reset signal and reset the system accurately during momentary interruption or lowering of power supply voltage.

It also has a built-in watchdog timer for operation diagnosis. This prevents the system from running wild by generating an intermittent reset pulse during system mis-operation.

## Features

1. Built-in watchdog timer
2. Low minimum operating voltage      130µA typ.
3. Low operating limit voltage       $V_{CC}=0.8V$
4. Watchdog stop function (RCT pin)
5. Long clock monitoring time  
 $T_{PR} \text{ (POWER ON)} : T_{WD} \text{ (clock monitoring)}=1 : 5$
6. Few external parts

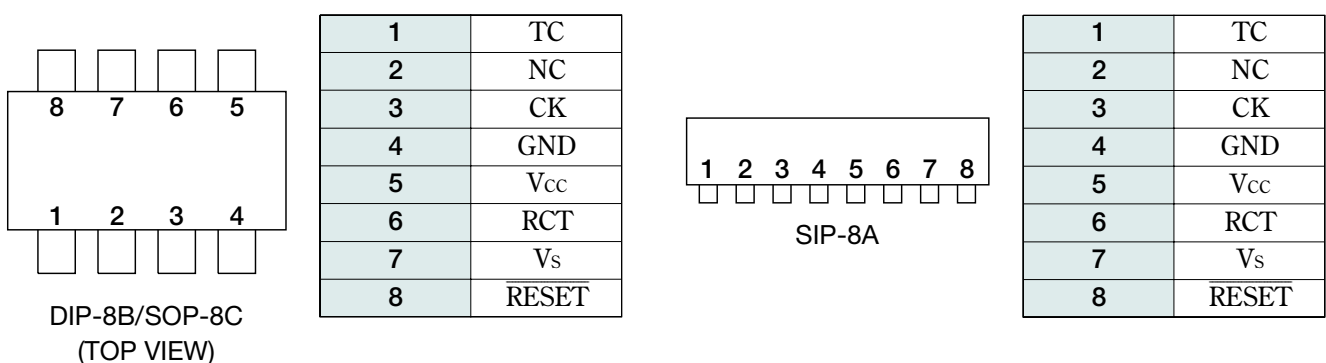
## Package

- DIP-8B (MM1096AD, MM1096BD)
- SOP-8C (MM1096AF, MM1096BF)
- SIP-8A (MM1096AS, MM1096BS)

## Applications

1. Reset circuits in microcomputers, CPUs and MPUs
2. Logic circuit reset circuits
3. Microcomputer system monitoring, etc.

## Pin Assignment



## Pin Description

Pin No.	Pin name	Function
1	TC	T <sub>WD</sub> , T <sub>WR</sub> , T <sub>PR</sub> variable pins. (T <sub>WD</sub> , T <sub>WR</sub> and T <sub>PR</sub> times are determined by the external capacitor.) T <sub>PR</sub> (ms) = 500 × C <sub>T</sub> (μF) T <sub>WD</sub> (ms) = 2500 × C <sub>T</sub> (μF) T <sub>WR</sub> (ms) = 100 × C <sub>T</sub> (μF)
2	N.C	
3	CK	Clock input pin, inputs clock from logic system
4	GND	GND pin
5	V <sub>CC</sub>	Voltage detection MM1096A → 3.2V, MM1096B → 4.2V
6	RCT	Watchdog timer stop pin Operation modes : Operation → OPEN, Stop → connect to GND
7	V <sub>S</sub>	Detection voltage variable pin
8	RESET	Reset output pin (low output)




## Absolute Maximum Ratings

Item	Symbol	Rating	Units
Power supply voltage	V <sub>CC</sub> max.	-0.3~+10	V
CK pin input voltage	V <sub>CK</sub>	-0.3~V <sub>CC</sub> +0.3 (≤ +10)	V
V <sub>S</sub> pin input voltage	V <sub>VS</sub>	-0.3~V <sub>CC</sub> +0.3 (≤ +10)	V
Voltage applied to RCT pin	V <sub>RCT</sub>	-0.3~V <sub>CC</sub> +0.3 (≤ +10)	V
Voltage applied to RESET pin	V <sub>OH</sub>	-0.3~V <sub>CC</sub> +0.3 (≤ +10)	V
Allowable loss	P <sub>d</sub>	300	mW
Storage temperature	T <sub>STG</sub>	-40~+125	°C

## Recommended Operating Conditions

Item	Symbol	Rating	Units
Power supply voltage	V <sub>CC</sub>	+2.2~+7.0	V
RESET sync current	I <sub>OL</sub>	0~1.0	mA
Clock monitoring time setting	T <sub>WD</sub>	0.1~1000	ms
Clock rise and fall times	t <sub>FC</sub> , t <sub>FC</sub>	<100	μs
TC pin capacitance	C <sub>T</sub>	0.0002~2	μF
Operating temperature	T <sub>OP</sub>	-25~+75	°C

**Electrical Characteristics (DC)** (Except where noted otherwise, MM1096A :  $V_{CC}=3.6V$ ,  $T_a=25^{\circ}C$ , MM1096B :  $V_{CC}=5.0V$ )

Item		Symbol	Measurement conditions	Min.	Typ.	Max.	Units
Consumption current	MM1096A	I <sub>CC</sub>	During watchdog timer operation		100	150	μA
	MM1096B				130	195	
Detection voltage	MM1096A	V <sub>SL</sub>	V <sub>S</sub> =OPEN, V <sub>CC</sub> 	3.10	3.20	3.30	V
	MM1096B			4.05	4.20	4.35	
	MM1096A	V <sub>SH</sub>	V <sub>S</sub> =OPEN, V <sub>CC</sub> 	3.15	3.25	3.35	
	MM1096B			4.15	4.30	4.45	
Detection voltage temperature coefficient		V <sub>S</sub> /ΔT			±0.01		%/°C
Hysteresis voltage	MM1096A	V <sub>HYS</sub>	V <sub>SH</sub> -V <sub>SL</sub> , V <sub>CC</sub> 	25	50	100	mV
	MM1096B			50	100	150	
CK input threshold		V <sub>TH</sub>		0.8	1.2	2	V
CK input current		I <sub>IH</sub>	A : V <sub>CK</sub> =3.6V, B : V <sub>CK</sub> =5.0V		0	1	μA
		I <sub>IL</sub>	V <sub>CK</sub> =0V	-12	-6	-2	
Output voltage (High)	MM1096A	V <sub>OH</sub>	I <sub>RESET</sub> = 1μA V <sub>S</sub> =OPEN	3.0	3.4		V
	MM1096B			4.0	4.5		
Output voltage (Low)		V <sub>OL1</sub>	I <sub>RESET</sub> = 0.5mA, V <sub>S</sub> =0V		0.2	0.4	V
		V <sub>OL2</sub>	I <sub>RESET</sub> = 1.0mA, V <sub>S</sub> =0V		0.3	0.5	
R output sync current		I <sub>OL</sub>	V <sub>RESET</sub> = 1.0V, V <sub>S</sub> =0V	1	2		mA
C <sub>T</sub> charge current		I <sub>CT1</sub>	V <sub>TC</sub> =1.0V during watchdog timer operation	-0.28	-0.48	-0.96	μA
		I <sub>CT2</sub>	V <sub>TC</sub> =1.0V during power ON reset operation	-1.60	-2.40	-4.80	μA
Minimum operating power supply voltage to ensure <u>RESET</u>		V <sub>CCL</sub>	V <sub>RESET</sub> = 0.4V I <sub>RESET</sub> = 0.1mA		0.8	1.0	V

**Electrical Characteristics (DC)** (Except where noted otherwise, MM1096A : V<sub>CC</sub>=3.6V, T<sub>a</sub>=25°C, MM1096B : V<sub>CC</sub>=5.0V)  
(Except where noted otherwise, resistance unit is Ω)

Item	Symbol	Measurement conditions	Min.	Typ.	Max.	Units
V <sub>CC</sub> input pulse width	T <sub>PI</sub>	V <sub>CC</sub> 3.6V 2.8V	8			μs
		V <sub>CC</sub> 5.0V 4.0V	8			
CK input pulse width	T <sub>CKW</sub>	CK	3			μs
CK input cycle	T <sub>CK</sub>		20			μs
Watchdog timer monitoring time *1	T <sub>WD</sub>	C <sub>T</sub> =0.02μF	25	50	75	ms
Reset time for watchdog timer *2	T <sub>WR</sub>	C <sub>T</sub> =0.02μF	1	2	3	ms
Reset hold time for power supply rise *3	T <sub>PR</sub>	C <sub>T</sub> =0.02μF, V <sub>CC</sub>	5	10	15	ms
Output delay time from V <sub>CC</sub> *4	T <sub>PD</sub>	$\overline{\text{RESET}}$ pin, R <sub>L</sub> =10k, C <sub>L</sub> =20pF		2	10	μs
Output rise time *5	t <sub>R</sub>	$\overline{\text{RESET}}$ pin, R <sub>L</sub> =10k, C <sub>L</sub> =20pF		2.0	4.0	μs
Output fall time *5	t <sub>F</sub>	$\overline{\text{RESET}}$ pin, R <sub>L</sub> =10k, C <sub>L</sub> =20pF		0.2	1.0	μs

Notes:

- \*1 Monitoring time is the time from the last pulse (negative edge) of the timer clear clock pulse until reset pulse output. In other words, reset output is output if a clock pulse is not input during this time.
- \*2 Reset time means reset pulse width. However, this does not apply to power ON reset.
- \*3 Reset hold time is the time from when V<sub>CC</sub> exceeds detection voltage (V<sub>SH</sub>) during power ON reset until reset release ( $\overline{\text{RESET}}$  output high).
- \*4 Output delay time is the time from when power supply voltage drops below detection voltage (V<sub>SL</sub>) until reset ( $\overline{\text{RESET}}$  output low).
- \*5 Voltage range when measuring output rise and fall is 10~90%.
- \*6 Watchdog timer monitoring time (T<sub>WD</sub>), watchdog timer reset time (T<sub>WR</sub>) and reset hold time (T<sub>PR</sub>) during power supply rise can be changed by varying C<sub>T</sub> capacitance. The times are expressed by the following formulae.

$$T_{PR} \text{ (ms)} \cong 500 \times C_T \text{ (}\mu\text{F)}$$

$$T_{WD} \text{ (ms)} \cong 2500 \times C_T \text{ (}\mu\text{F)}$$

$$T_{WR} \text{ (ms)} \cong 100 \times C_T \text{ (}\mu\text{F)}$$

Example : When C<sub>T</sub>=0.02μF

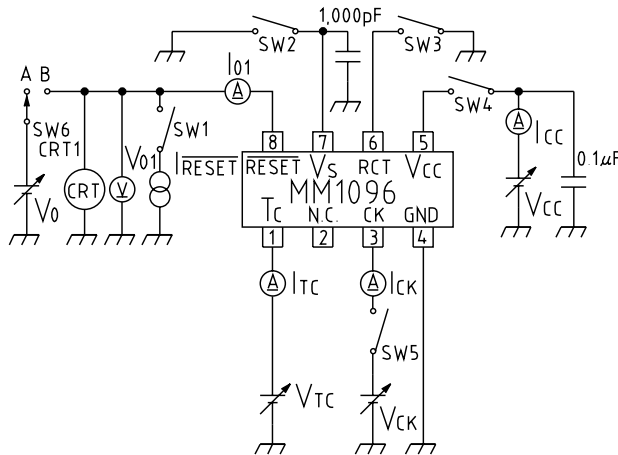
$$T_{PR} \cong 10\text{ms}$$

$$T_{WD} \cong 50\text{ms}$$

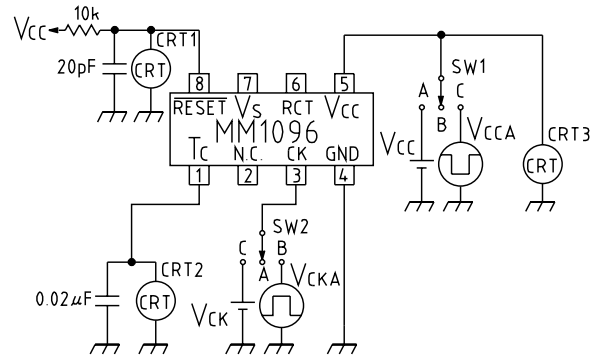
$$T_{WR} \cong 2\text{ms}$$

Measuring Circuits

Measuring Circuit 1 (DC)



Measuring Circuit 2 (AC)



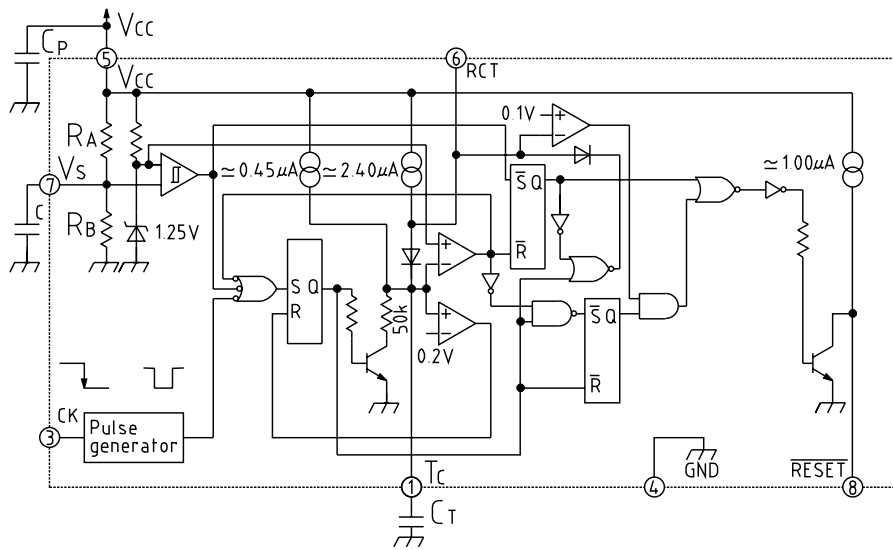
Measuring Circuit 1 SW & Power Supply Table

Item	Symbol	SW1	SW2	SW3	SW4	SW5	SW6	V <sub>CC</sub>	V <sub>CK</sub>	V <sub>CT</sub>	I <sub>RESET</sub>	VM, IM	Notes
Consumption current	I <sub>CC</sub>	OFF	OFF	OFF	ON	ON	A	3.6V	3.6V	0V		I <sub>CC</sub>	
Detection voltage	V <sub>SL</sub>	OFF	OFF	ON	ON	ON	A	3.6V~3V	0V	2V		V <sub>O1</sub> , CRT1	
	V <sub>SH</sub>	OFF	OFF	ON	ON	ON	A	3V~3.6V	0V	2V		V <sub>O1</sub> , CRT1	
CK input threshold	V <sub>TH</sub>	OFF	OFF	OFF	ON	ON	A	3.6V	0V~3V	1V		I <sub>CK</sub> , V <sub>CK</sub>	
CK input current	I <sub>IH</sub>	OFF	OFF	OFF	ON	ON	A	3.6V	3.6V	0V		I <sub>CK</sub>	
	I <sub>IL</sub>	OFF	OFF	OFF	ON	ON	A	3.6V	0V	0V		I <sub>CK</sub>	
Output voltage (High)	V <sub>OH</sub>	ON	OFF	ON	ON	ON	A	3.6V	3.6V	2V	-1µA	V <sub>O1</sub>	
Output voltage (Low)	V <sub>OL1</sub>	ON	ON	ON	ON	ON	A	3.6V	3.6V	2V	0.5mA	V <sub>O1</sub>	
	V <sub>OL2</sub>	ON	ON	ON	ON	ON	A	3.6V	3.6V	2V	1.0mA	V <sub>O1</sub>	
Output sink current	I <sub>OL1</sub>	OFF	ON	ON	ON	ON	B	3.6V	3.6V	2V		I <sub>O1</sub>	V <sub>O</sub> =1V
C <sub>T</sub> charge current 1	I <sub>TC1</sub>	OFF	OFF	OFF	ON	OFF	A	3.6V		1V		I <sub>TC</sub>	
C <sub>T</sub> charge current 2	I <sub>TC2</sub>	OFF	OFF	OFF	ON	OFF	A	3.6V		1V		I <sub>TC</sub>	
Minimum operating power supply voltage to ensure RESET	V <sub>CCL</sub>	ON	OFF	ON	ON	ON	A	0V~2V	0V	0V		V <sub>O1</sub> , V <sub>CC</sub>	

Measuring Circuit 2 SW & Power Supply Table

Item	Symbol	SW1	SW2	V <sub>C<sub>CA</sub></sub>	V <sub>CC</sub>	V <sub>C<sub>KA</sub></sub>	V <sub>CK</sub>	CRT	Notes
V <sub>CC</sub> input pulse width	T <sub>P1</sub>	C	B		-		-	CRT1 CRT2	T <sub>1</sub> =8µs
CK input pulse width	T <sub>CKW</sub>	A	B	-	3.6V		-	CRT1 CRT2	T <sub>2</sub> =3µs
CK input cycle	T <sub>CK</sub>	A	B	-	3.6V		-	CRT1 CRT2	T <sub>3</sub> =20µs
Watchdog timer monitoring time	T <sub>WD</sub>	A	A	-	3.6V	-	3.6V	CRT1 CRT2	
Reset time for watchdog timer	T <sub>WR</sub>	A	A	-	3.6V	-	3.6V	CRT1 CRT2	
Reset hold time for power supply rise	T <sub>PR</sub>	B→A	A	-	3.6V	-	3.6V	CRT1 CRT2	
Output delay time from V <sub>CC</sub>	T <sub>PD</sub>	C	A		-	-	0V	CRT1	
Output rise time	T <sub>R</sub>	A	A	-	3.6V	-	3.6V	CRT1	
Output fall time	T <sub>F</sub>	A	A	-	3.6V	-	3.6V	CRT1	

Block Diagram



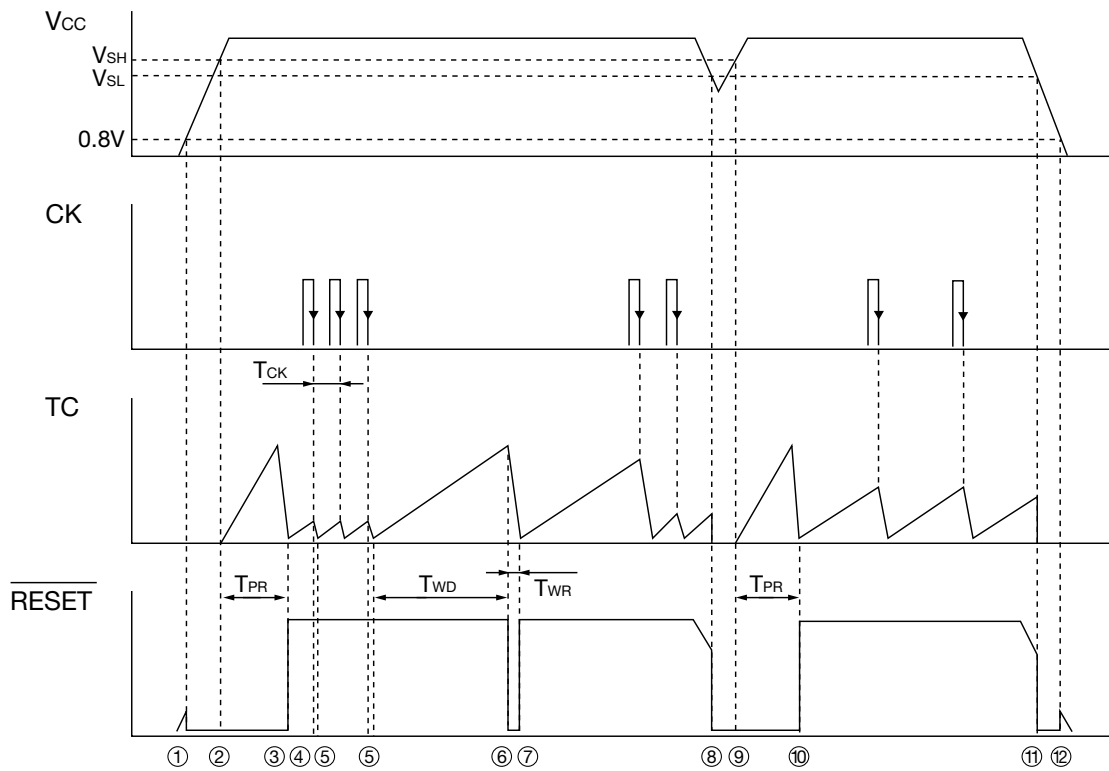
	RA	RB
MM1096A	≈ 305k	≈ 195k
MM1096B	≈ 350k	≈ 150k

Note 1: CP=0.1µF approx.

Note 2: C ≥ 1000pF

Note 3: The watchdog timer can be stopped by connecting the RCT pin to GND. Then it functions as a voltage detection circuit.)

Timing Chart



## Description of Operation

1.  $\overline{\text{RESET}}$  goes low when  $V_{CC}$  rises to approximately 0.8V.  
Approximately  $1\mu\text{A}$  ( $V_{CC}=0.8\text{V}$ ) of pull up current is output from  $\overline{\text{RESET}}$
2. Capacitor  $C_T$  charging starts when  $V_{CC}$  rises to  $V_{SH}$  (MM1096A  $\cong$  3.25V, MM1096B  $\cong$  4.3V). Output is in reset state at this time.
3. Output reset is released ( $\overline{\text{RESET}}$  goes high) after a certain time ( $T_{PR}$ ), from when  $C_T$  starts charging until discharge (the time from when  $C_T$  voltage reaches a certain threshold value 1 ( $\cong$  1.4V) until  $C_T$  voltage drops to a certain threshold value 2 ( $\cong$  0.2V).  
Reset hold time :  $T_{PR}$  is as follows.  
 $T_{PR} (\text{ms}) \cong 500 \times C_T (\mu\text{F})$   
 $C_T$  charging starts again after reset release, and watchdog timer operation begins.  
Clock input to the CK pin during  $C_T$  charging will cause mis-operation.
4. If a clock is input (negative edge trigger) to the CK pin during  $C_T$  charging, C switches from charging to discharge.
5. Discharge switches to charging when  $C_T$  voltage drops to a certain threshold value ( $\cong$  0.2V). Steps 4 and 5 are repeated while a normal clock is input from the logic system.
6. Output goes to reset state ( $\overline{\text{RESET}}$  goes low) when the clock ceases and  $C_T$  voltage reaches reset ON threshold value ( $\cong$  1.4V).  
The formula for  $C_T$  charging time ( $T_{WD}$ : watchdog timer monitoring time) until reset is output is as follows.  
 $T_{WD} (\text{ms}) \cong 2500 \times C_T (\mu\text{F})$
7. Watchdog timer reset time  $T_{WR}$  is the discharge time until  $C_T$  voltage drops to reset OFF threshold value ( $\cong$  0.2V). The formula is as follows.  
 $T_{WR} (\text{ms}) \cong 100 \times C_T (\mu\text{F})$   
After reset OFF threshold value is reached, output reset is released and  $C_T$  starts charging. Thereafter, steps 4 and 5 are repeated if a normal clock is input, and when the clock ceases, 6 and 7 are repeated.
8. Reset is output when  $V_{CC}$  drops to  $V_{SL}$  (MM1096A  $\cong$  3.2V, MM1096B  $\cong$  4.2V).  $C_T$  is charged simultaneously.
9.  $C_T$  charging starts when  $V_{CC}$  rises to  $V_{SH}$ .  
When  $V_{CC}$  drops momentarily,  $C_T$  charging begins after the charge is first discharged, if the time from  $V_{CC}$  dropping below  $V_{SL}$  until it rises to  $V_{SH}$  is longer than the  $V_{CC}$  input pulse width standard value  $T_{PI}$ .
10. Output reset is released after  $V_{CC}$  goes above  $V_{SH}$  and after  $T_{PR}$ , and the watchdog timer starts. Thereafter, 8~10 are repeated when  $V_{CC}$  goes below  $V_{SL}$ .
11. When power is OFF, reset is output if  $V_{CC}$  goes below  $V_{SL}$ .
12. When  $V_{CC}$  drops to 0V, reset output is held until  $V_{CC}$  reaches 0.8V.